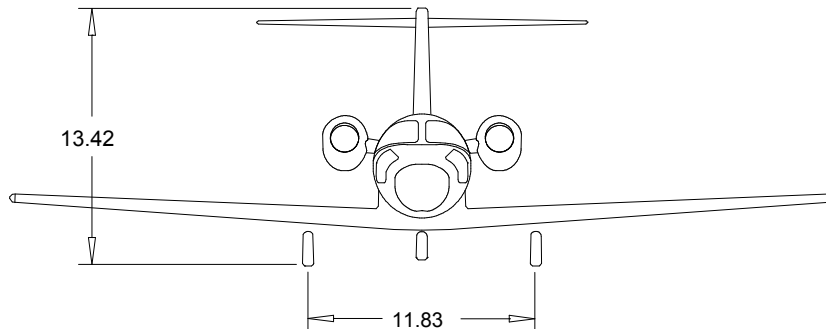
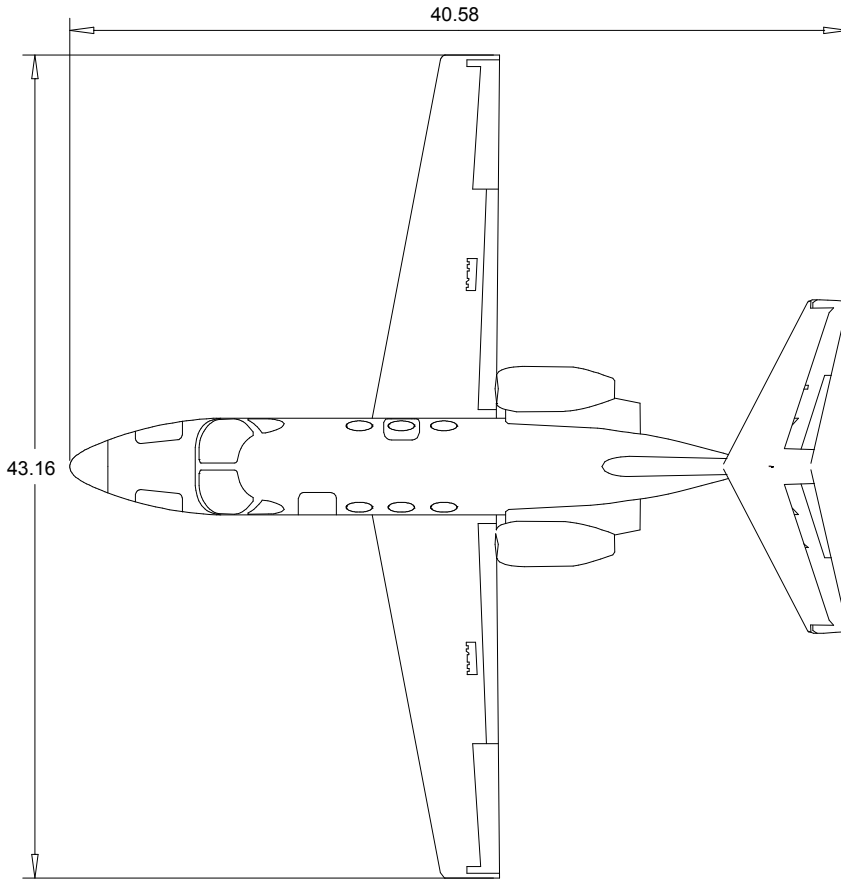
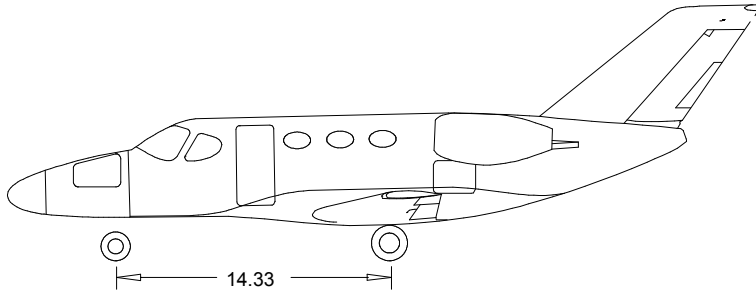


EXTERIOR

Scale = 1:120



All dimensions are measured in Feet unless otherwise specified.

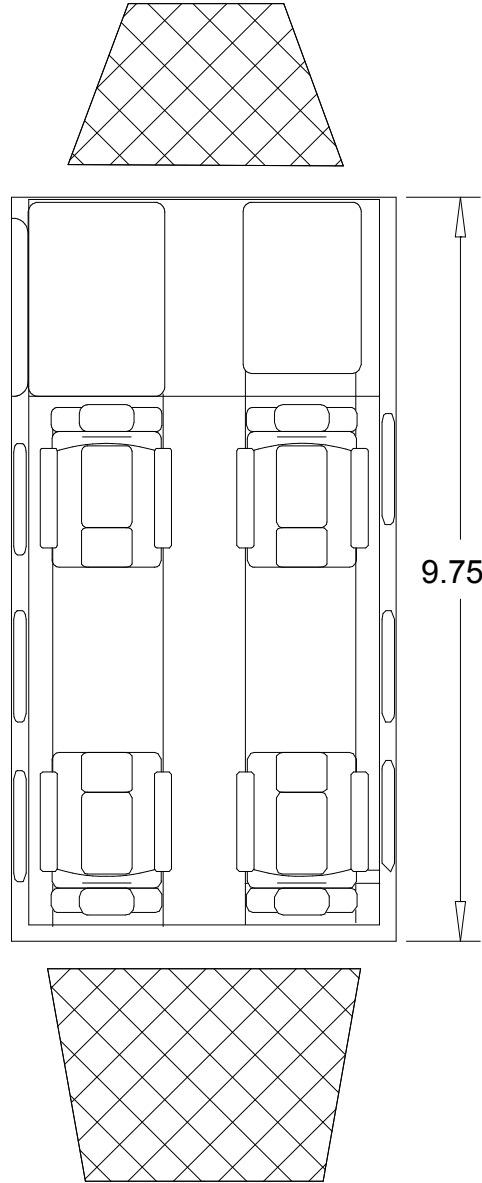
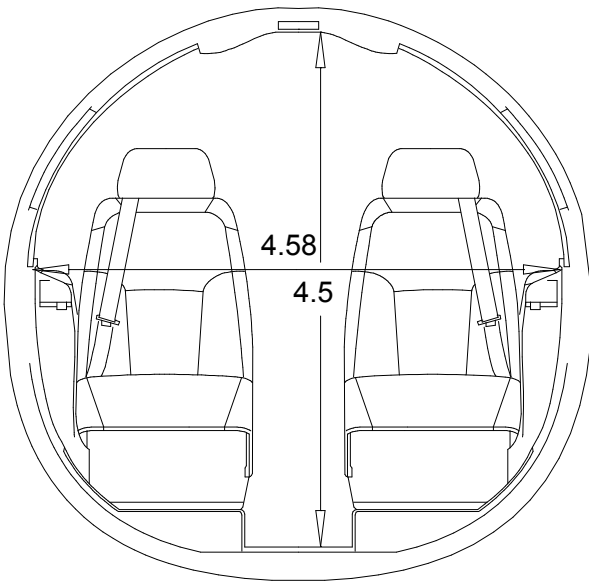
Citation Mustang

INTERIOR

Orleans, Massachusetts (508)255-5975

© 2006 Conklin & de Decker Associates, Inc.

Scale = 1:20



Citation Mustang

Scale = 1:30

 - Baggage

All dimensions are measured in Feet unless otherwise specified.