

CESSNA CITATION MUSTANG



POSITIONS AVAILABLE:

2008 Immediately Available – Loaded With Options!!!

2nd Quarter 2009 – Factory Lease-Back, GREAT Financial Return 7% plus!!!

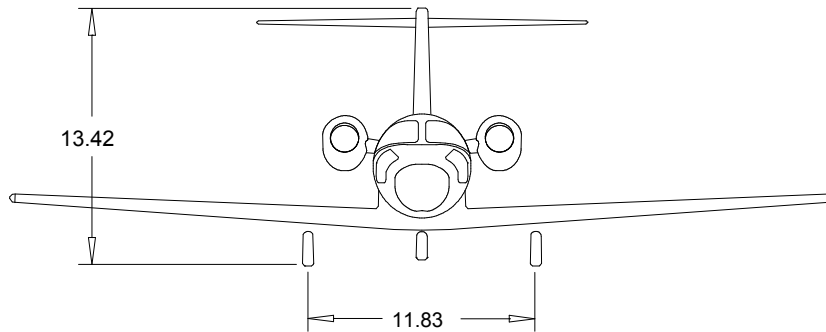
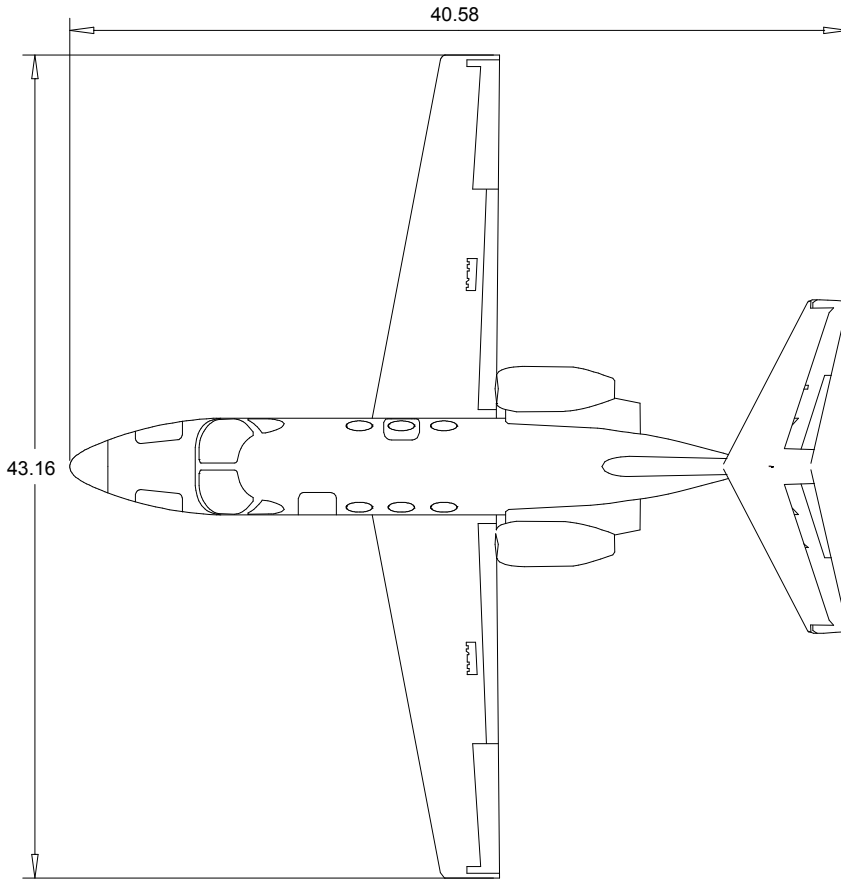
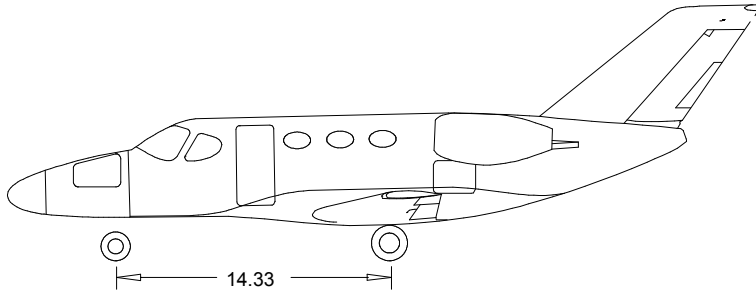
2nd and 3rd Quarter 2009 – Choose Your Own Options and Colors!!!

Many Others Available

Information supplied is subject to verification upon review of all documents and is subject to withdrawal from market and/or prior sale.

EXTERIOR

Scale = 1:120



All dimensions are measured in Feet unless otherwise specified.

Citation Mustang

Orleans, Massachusetts (508)255-5975

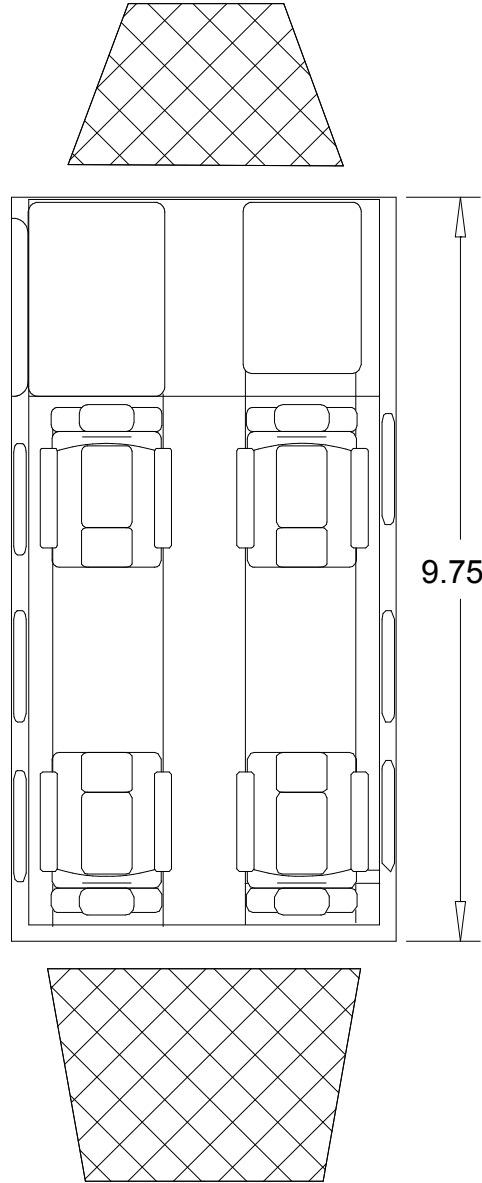
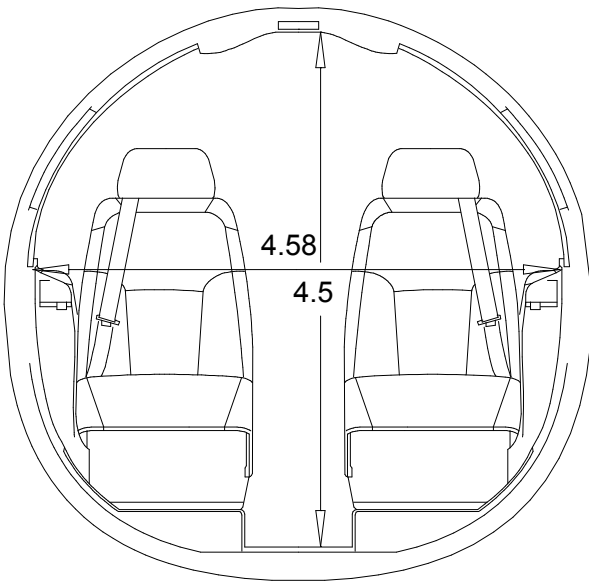
© 2006 Conklin & de Decker Associates, Inc.

INTERIOR

Orleans, Massachusetts (508)255-5975

© 2006 Conklin & de Decker Associates, Inc.

Scale = 1:20



Citation Mustang

Scale = 1:30

 - Baggage

All dimensions are measured in Feet unless otherwise specified.